

GM-GSCL Grand Series Compression Latch

Features

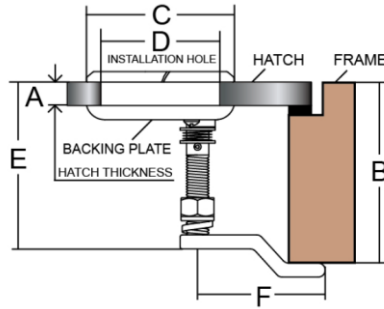
- Watertight
- Anti-rattle design
- Larger handle opening for comfortable grip
- Detent handle ensures positioning after a 90° turn
- Ideal for gasketed hatches

Material

- Stainless steel 316

Parts Included

- Installation screws (size #8)
- Watertight gasket



Part No.	Type	A	B	C	D	E	F
GM-GSCL-B007831	Non Locking	1 ~ 20	25 ~ 76	65	51	71	54
GM-GSCL-B007832	Locking	6 ~ 20					
GM-GSCL-A207931	Non Locking	0 ~ 19	55.5 ~ 73	78	63.5	84	38.5
GM-GSCL-A207932	Locking	4 ~ 22					

GM-GSSCL Grand Series Square Compression Latch

Features

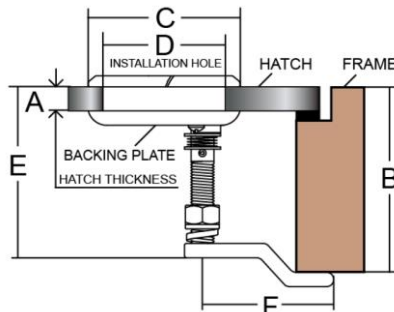
- Watertight
- Anti-rattle design
- Larger handle opening for comfortable grip
- Detent handle ensures positioning after a 90° turn
- Ideal for gasketed hatches

Material

- Stainless steel 316

Parts Included

- Installation screws (size #8)
- Watertight gasket



Part No.	Type	A	B	C	D	E	F
GM-GSSCL-B007833	Non Locking	1 ~ 20	25 ~ 76	65	51	71	54
GM-GSSCL-B007834	Locking	6 ~ 20					